

SHAD TERRA

ENGINEERED FOR RIDING

TR37

BLACK EDITION

D0TR37100B

NATURAL ALUMINIUM

D0TR37100

X49,5 Y41,8 Z25,9 (cm)

TR48

BLACK EDITION

D0TR37100B

NATURAL ALUMINIUM

D0TR37100

X49,5 Y41,8 Z32,2 (cm)



USER GUIDE



reddot winner 2021



WWW.SHAD.ES

Code: 501967 - edition: 2

TERRA LOCK SYSTEM

PATENT PENDING

OPEN AND CLOSE

INTEGRATED CARRYING HANDLE

ASSEMBLY AND RELEASE

UNLOCK AND LOCK

WARNING! 

CARE AND MAINTENANCE



URL: <http://uqr.to/huxh>



1 M. MINIMUM DISTANCE WITH POWER WASHER.



MAXIMUM WEIGHT.



MAXIMUM SPEED, CHECK LOCAL LAWS.



ALWAYS SECURE AND LOCK PRODUCTS.



ONLY USE RECOMMENDED CLEANING PRODUCTS.



CASES ARE NOT DESIGNED TO PROTECT FRAGILE OBJECTS.

ACCESORIES

OPTIONAL BACKREST

TOP D0RI75



SOLD SEPARATELY

ALUMINIUM PLATE

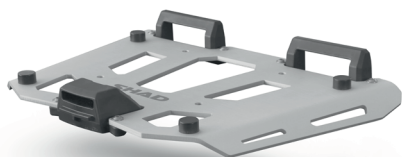
D1BTRPA2



SOLD SEPARATELY

ALUMINIUM PLATE

D1BTRPA



OPTIONAL INNER BAG

INNER BAG
TOP - SIDE X0IB47



SOLD SEPARATELY

BIG PLATE

D1B591PAR



ONE KEY

One key
For three cases

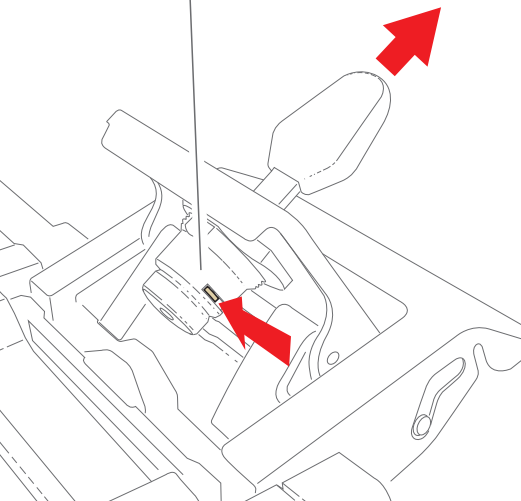
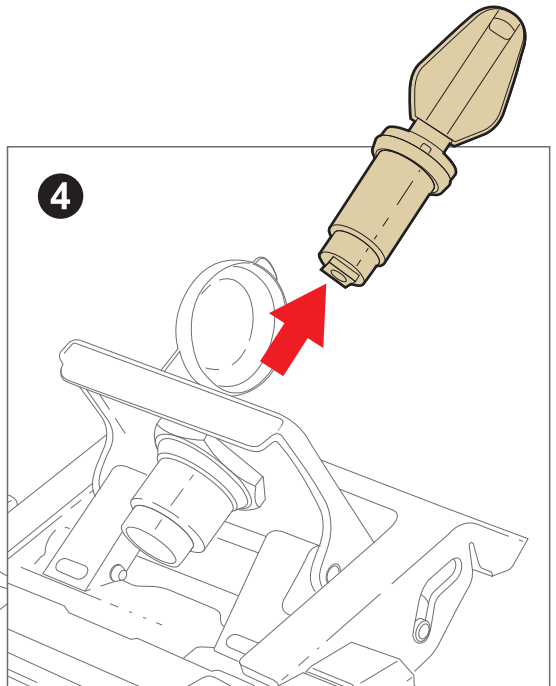
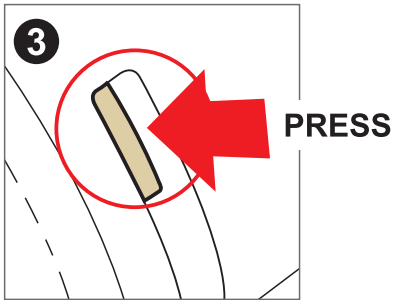
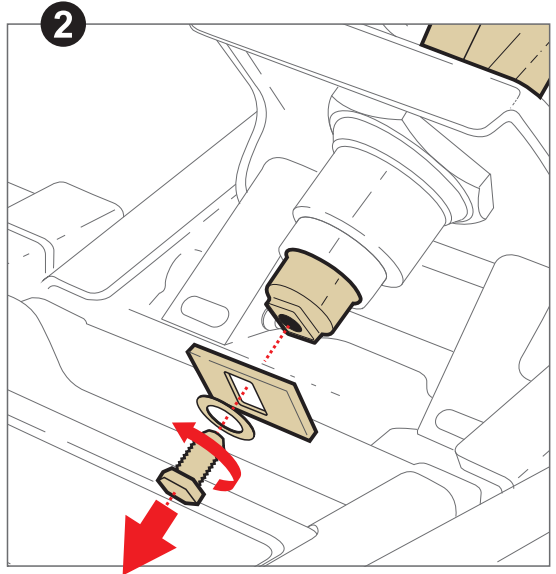
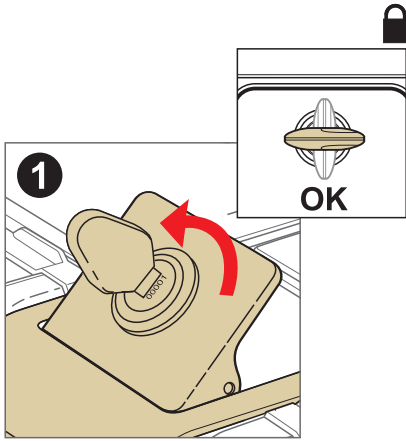


MORE INFO



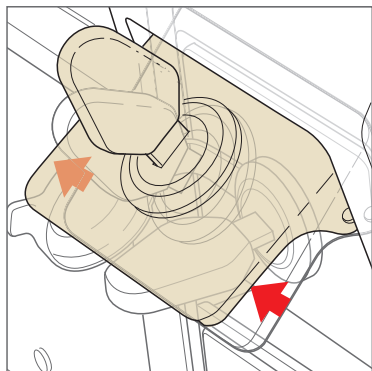
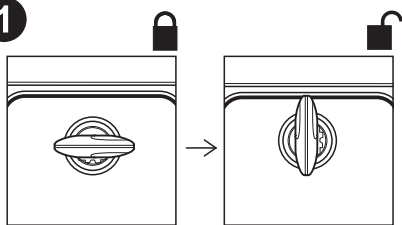
LOCK REMOVAL

VIDEO

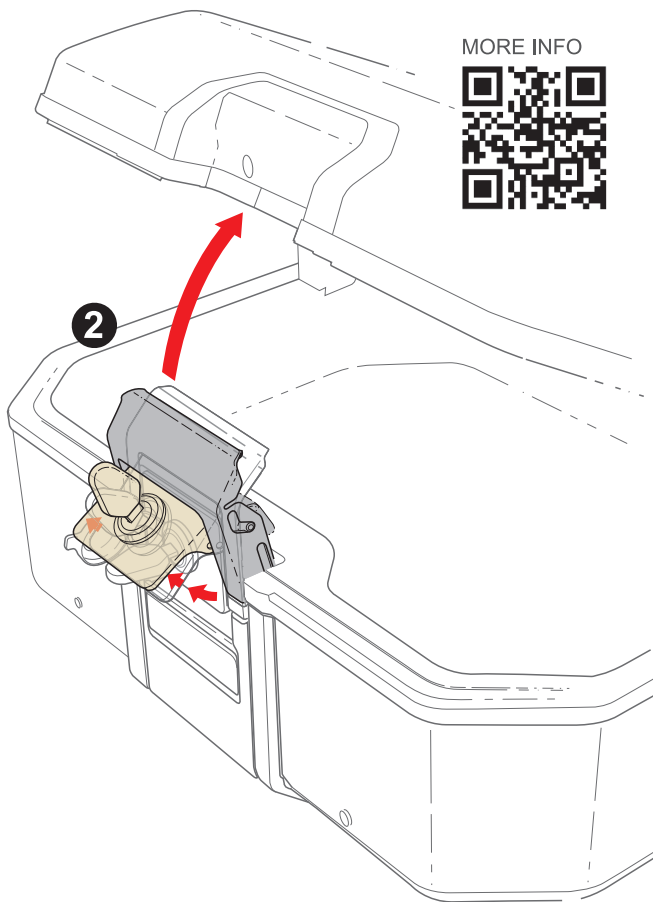


OPEN

1



2

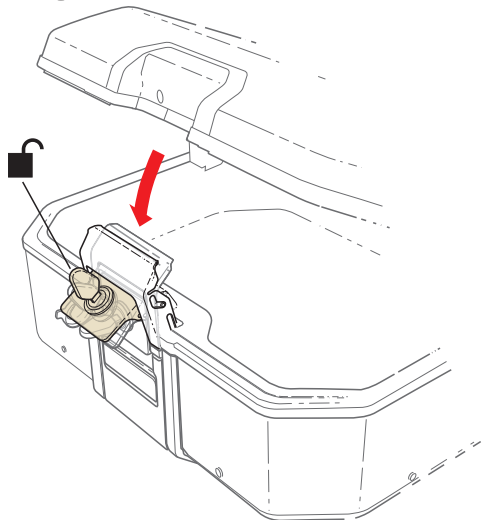


MORE INFO

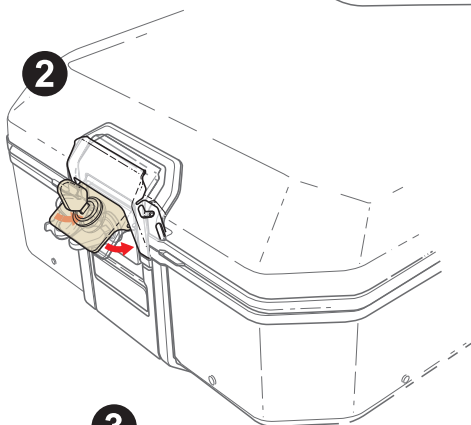


CLOSE

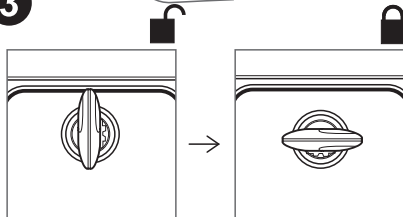
1



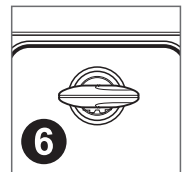
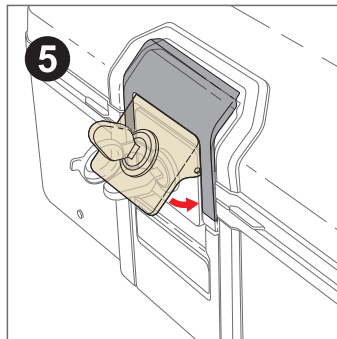
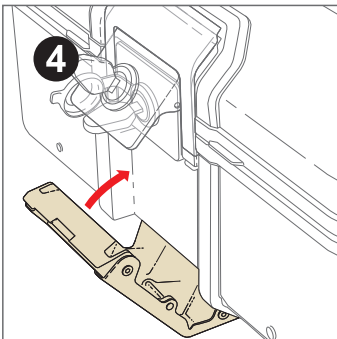
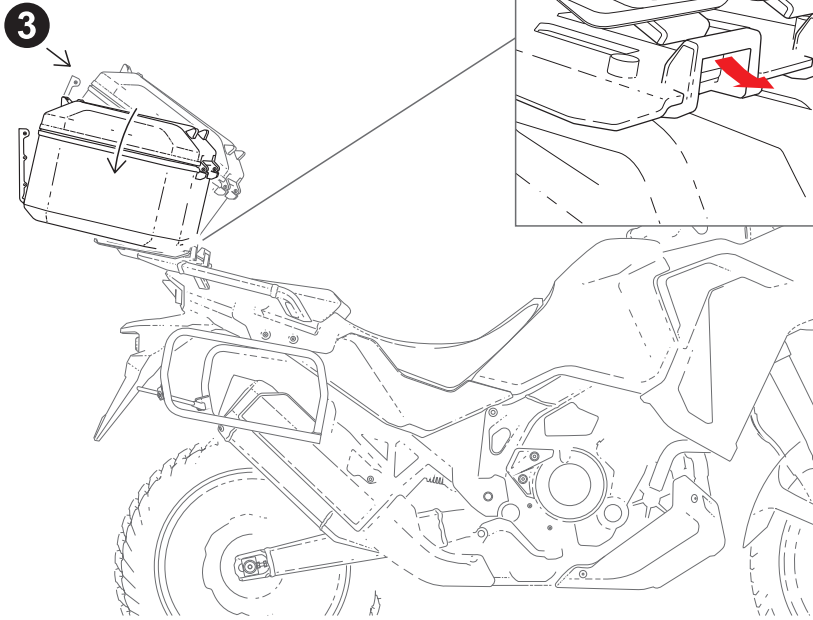
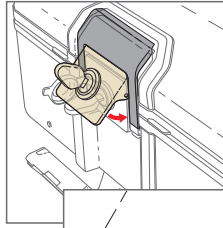
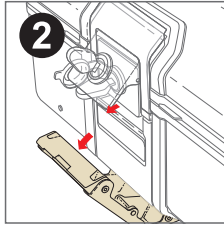
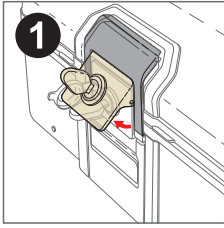
2

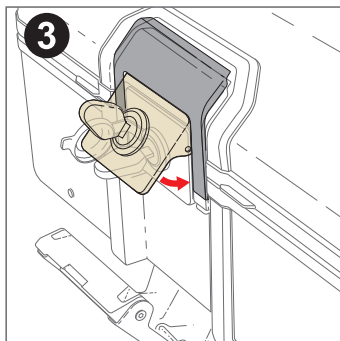
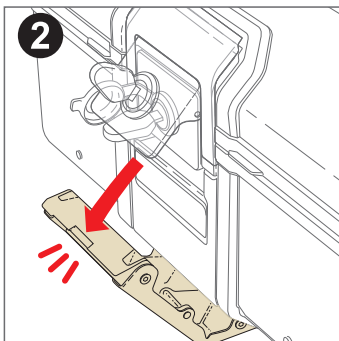
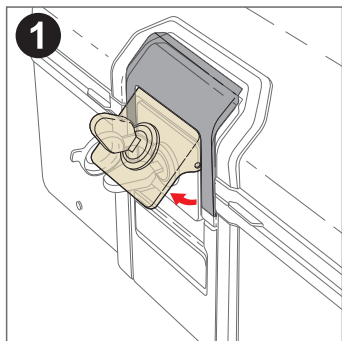


3

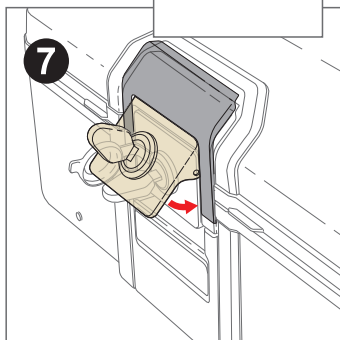
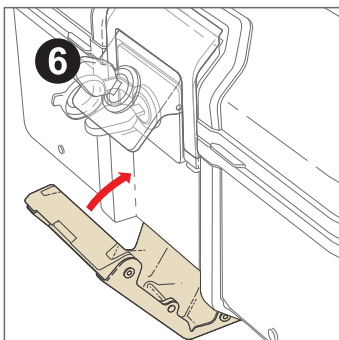
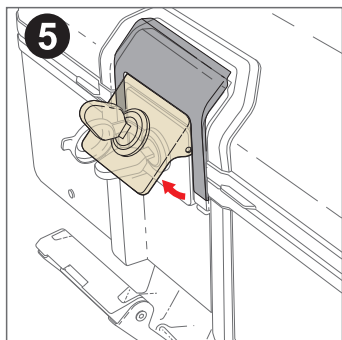
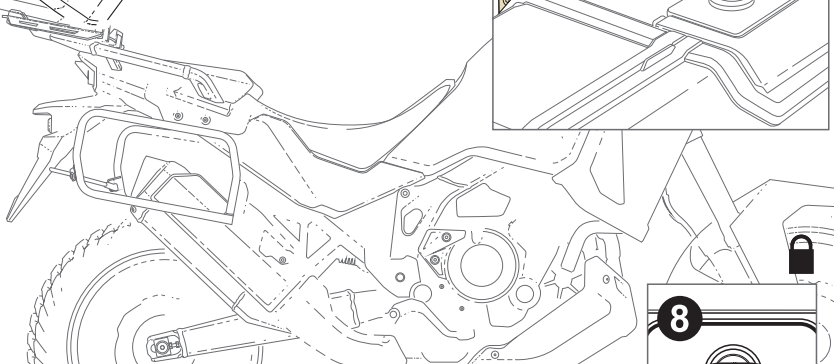
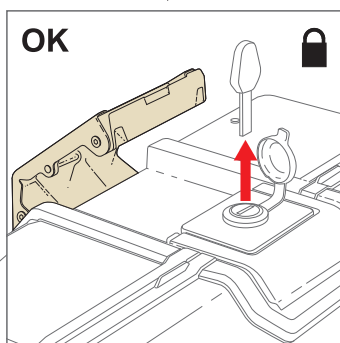
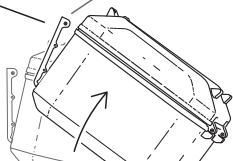


ASSEMBLY





4 PULL





+300
trees planted
every year in
our SHAD forest



**WE ARE
DOING
GREEN**

AS PART OF THE TERRA DEVELOPMENT PROJECT, FROM SHAD WE HAVE ACQUIRED THE COMMITMENT TO FIGHT AGAINST CLIMATE CHANGE BY REFORESTATION.



Expand our SHAD forest
CAN YOU HELP US REFOREST?
JUST ENTER AND SEE HOW

WWW.SHAD.ES

